

## Brass fitting, using 3 screws rotation ring, for common immersion heaters

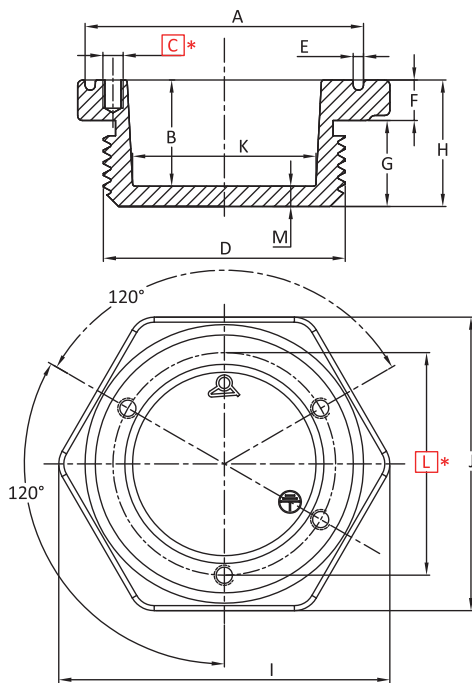
Minimum Size	Maximum Size	Material	Type	Model
<b>1 1/4"</b>	<b>M77x2</b>	<b>Brass</b>	<b>3 screws rotation ring</b>	<b>66RE</b>

### Compatible accessories

<input checked="" type="checkbox"/> 66XF	<input checked="" type="checkbox"/> 66JP
<input checked="" type="checkbox"/> 66JE	<input checked="" type="checkbox"/> 66JF
<input checked="" type="checkbox"/> 66NL	<input checked="" type="checkbox"/> 66JR

### Compatible enclosures

<input checked="" type="checkbox"/> Y303	<input checked="" type="checkbox"/> Y3H1	<input checked="" type="checkbox"/> Y310	<input checked="" type="checkbox"/> Y302
<input checked="" type="checkbox"/> Y304	<input checked="" type="checkbox"/> Y3H2	<input checked="" type="checkbox"/> Y3L3	<input checked="" type="checkbox"/> Y3C1
<input checked="" type="checkbox"/> Y305	<input checked="" type="checkbox"/> Y3H3	<input checked="" type="checkbox"/> Y3S3	<input checked="" type="checkbox"/> Y3C3
<input checked="" type="checkbox"/> Y3P1	<input checked="" type="checkbox"/> Y3G1	<input checked="" type="checkbox"/> Y3S5	<input checked="" type="checkbox"/> Y307
<input checked="" type="checkbox"/> Y3P3	<input checked="" type="checkbox"/> Y3G2	<input checked="" type="checkbox"/> Y3N1	<input checked="" type="checkbox"/> Y3K1
<input checked="" type="checkbox"/> Y3P4	<input checked="" type="checkbox"/> Y309	<input checked="" type="checkbox"/> Y3N2	<input checked="" type="checkbox"/> Y3K2
<input checked="" type="checkbox"/> Y3P5	<input checked="" type="checkbox"/> Y3J1	<input checked="" type="checkbox"/> Y3N3	<input checked="" type="checkbox"/> Y3SA
<input checked="" type="checkbox"/> Y3P6	<input checked="" type="checkbox"/> Y3J2	<input checked="" type="checkbox"/> Y3N4	<input checked="" type="checkbox"/> Y3S7
<input checked="" type="checkbox"/> Y3B2	<input checked="" type="checkbox"/> Y306	<input checked="" type="checkbox"/> Y3C4	<input checked="" type="checkbox"/> Y3M1



	1-1/4"	1-1/2"	M45x2	2"	2-1/2"	M77x2
A	Ø55	Ø55	Ø55	Ø65	Ø82	Ø82
B	21	21	21	24	24	24
C	M4(x4)	M4(x4)	M4(x4)	M4(x4)	M5(x4)	M5(x4)
D	1-1/4"	1-1/2"	M45x2	2"	2-1/2"	M77x2
E	2	2	2	2	2	2
F	8	8	8	8	8	8
G	17	17	17	20	20	20
H	25	25	25	28	28	28
I	65.5	65.5	65.5	79.5	102.5	102.5
J	Hex 58	Hex 58	Hex 58	Hex 70	Hex 90	Hex 90
K	Ø35	Ø36	Ø36	Ø50	Ø66	Ø66
L	Ø44	Ø44	Ø44	Ø54	Ø70	Ø70
M	4	4	4	4	4	4

### Main references

Dimension	References	Dimension	References
1-1/4"	66REA2T0000000000	2"	66REA5T0000000000
1-1/2"	66REA3T0000000000	2-1/2"	66REA7T0000000000
M45x2	66REMDT0000000000	M77x2	66REMG0T0000000000

### Links



Page  
(.pdf)



Drawing 2D  
(.dwg)



Drawing 3D  
(.stp)

Red dimensions inside rectangular frames are used for assembly on enclosures or on fittings.

